

**ASRock**

**CL25FF**  
**CL27FF**

User Manual

## **Contents**

<b>Chapter 1 Introduction</b>	<b>1</b>
1.1 Package Contents	1
<b>Chapter 2 Setting up the Monitor</b>	<b>2</b>
2.1 Attaching the Stand Arm and Base	2
2.2 Detaching the Stand Arm and Base	4
2.3 Making Connections	5
2.4 Adjusting the Viewing Angle	8
2.5 Using the Security Slot	9
<b>Chapter 3 Monitor Overview</b>	<b>10</b>
3.1 Front View	10
3.2 Back View	11
3.3 Bottom View	12
<b>Chapter 4 Specifications</b>	<b>13</b>
4.1 Monitor Specifications	13
4.2 Supported Timing List	17
<b>Chapter 5 Operating the Monitor</b>	<b>19</b>
5.1 Powering On/Off the Monitor	19
5.2 Using the Joystick Control	20
<b>Chapter 6 OSD Setup</b>	<b>22</b>
6.1 Accessing the OSD Menu	22
6.2 OSD Menus	23
<b>Chapter 7 Troubleshooting</b>	<b>31</b>
<b>Chapter 8 Safety Instructions</b>	<b>32</b>

# Chapter 1 Introduction

Thank you for purchasing CL25FF/CL27FF, a reliable monitor produced under ASRock's consistently stringent quality control. It delivers excellent performance with robust design conforming to ASRock's commitment to quality and endurance.

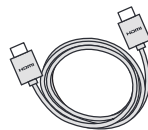
## 1.1 Package Contents

Your monitor ships with the components shown below. Please make sure that you have received all the components and contact your place of purchase or local distributor if any of the items is damaged or missing.

- ASRock CL25FF/CL27FF Monitor
- ASRock CL25FF/CL27FF Stand Arm
- ASRock CL25FF/CL27FF Stand Base
- ASRock CL25FF/CL27FF Quick Start Guide
- HDMI Cable
- Power Cord



Monitor



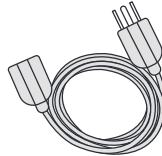
HDMI Cable



Quick Start Guide



Stand Arm



Power Cord



Stand Base



### Important

Package contents may vary by country.

The included power cord is exclusively for this monitor and should not be used with other products.

## Chapter 2 Setting up the Monitor

### 2.1 Attaching the Stand Arm and Base

#### Step 1. Installing the Stand Arm

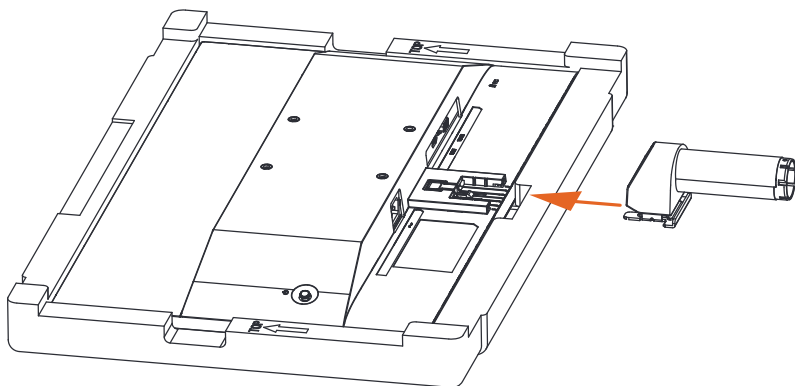
- Leave the monitor in its protective foam packaging.



#### Important

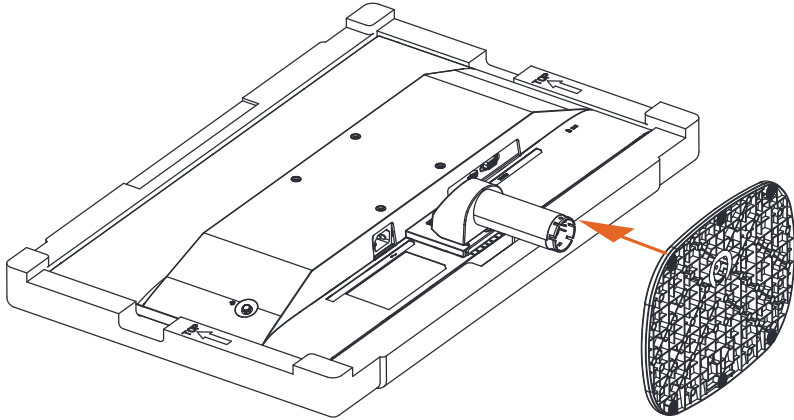
Place the monitor in its protective foam packaging, or on a soft, protected surface to avoid scratching the display screen.

- Align and slide the two tabs on the stand arm to the groove on the back of the monitor until it snaps into place.



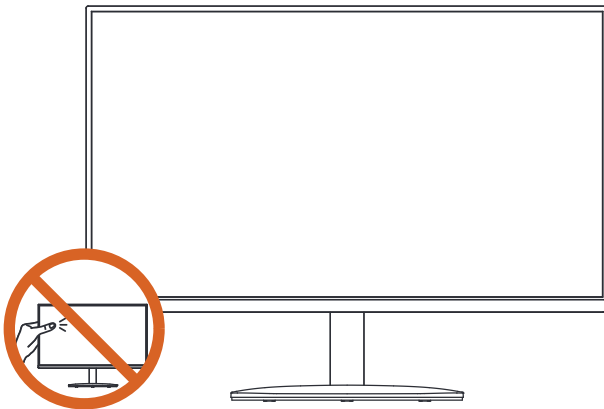
## Step 2. Installing the Stand Base

Insert the stand base to the stand arm and make sure it is securely installed.



## Step 3. Placing the Monitor Upright

Lift the monitor carefully out of the foam packaging and into its upright position on a flat, stable surface.



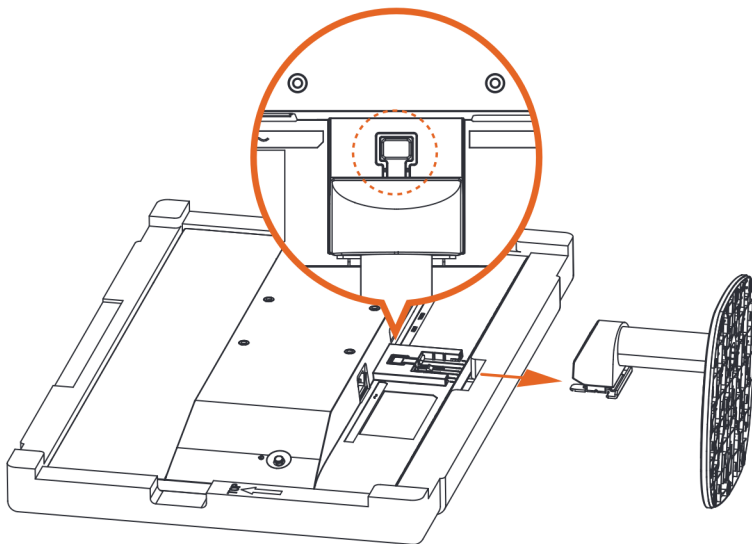
**Important**

Be careful not to touch or press the screen area when lifting or moving the monitor to avoid any scratches or damage.

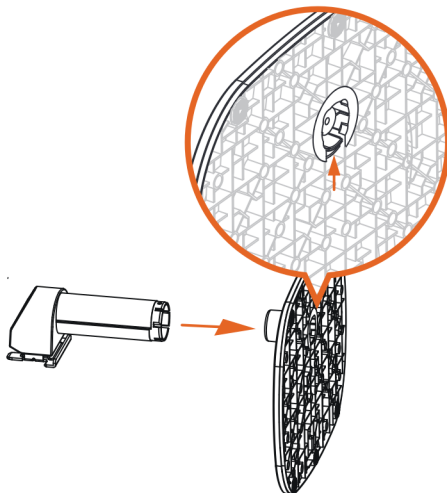
## 2.2 Detaching the Stand Arm and Base

Before removing the stand, be sure to turn off the monitor and disconnect all cables.

1. Press and hold the stand release button and pull to disengage the tabs on the stand arm from the monitor. Remove the stand (arm and base).



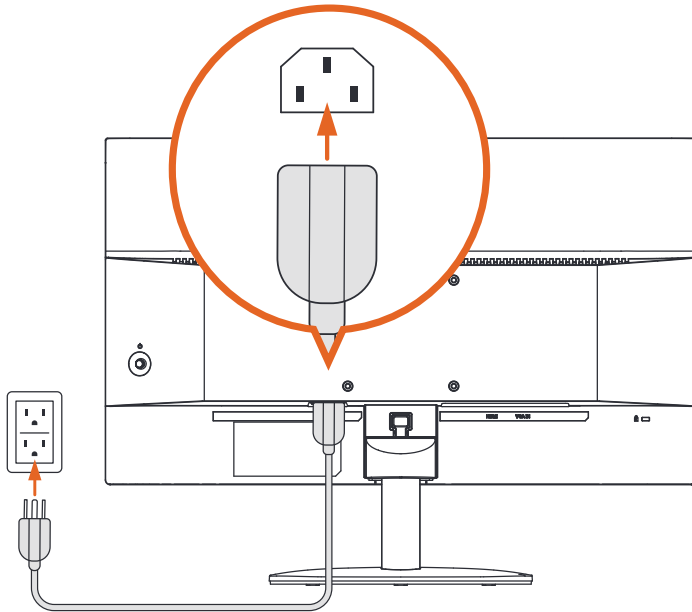
2. Press and hold the quick release tab at the bottom of the base and remove the stand base from the stand arm.



## 2.3 Making Connections

### Connecting the Power Cord

Connect the power cord to the monitor and to an electrical wall outlet.



#### Important

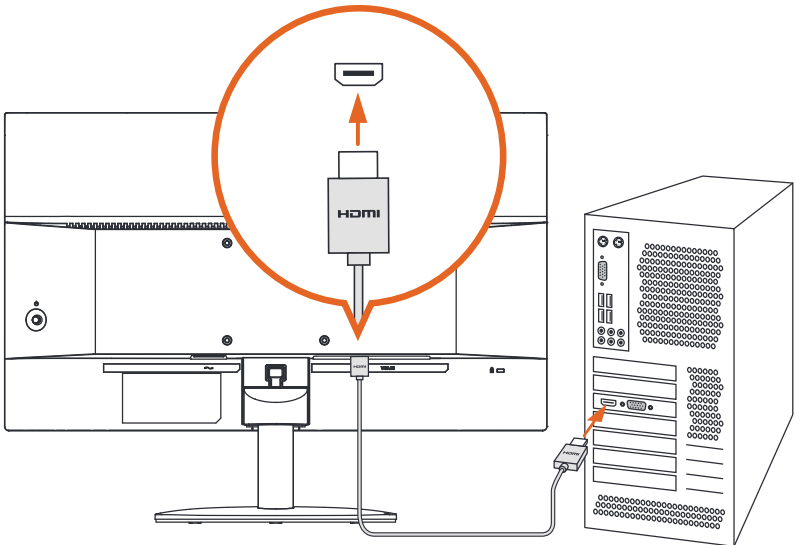
Please make sure to make a grounding connection before connecting the power plug to the power source.

Additionally, when disconnecting the grounding connection, be sure to disconnect the power plug from the power source before proceeding.

## Connecting the Monitor to the PC / Laptop

### HDMI Connection

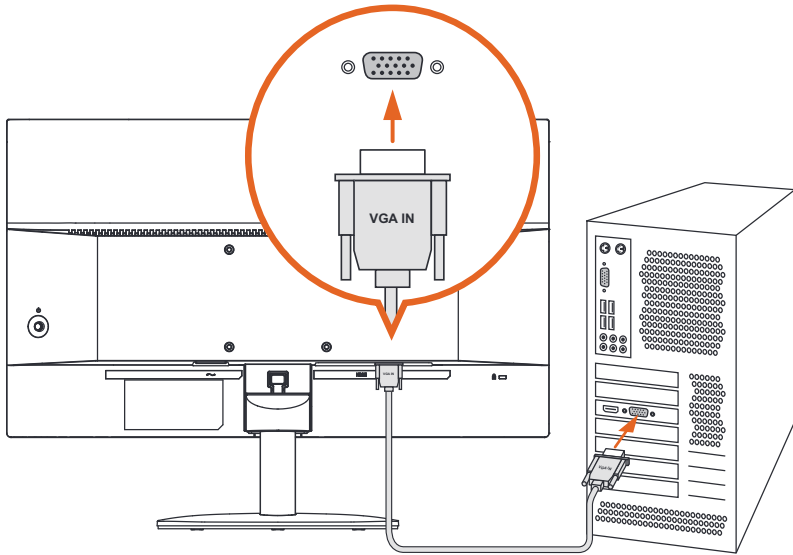
Connect one end of the HDMI cable to the HDMI connector on the rear side of the monitor. Then connect the other end to the HDMI connector on the PC or laptop.





## VGA Connection

Connect one end of the VGA cable to the VGA input connector on the rear side of the monitor. Then connect the other end to the VGA output connector on the PC or laptop.



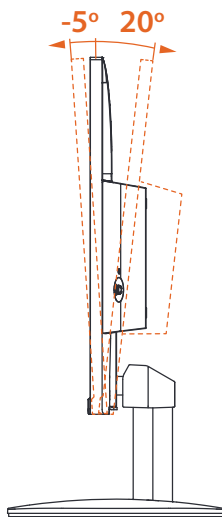
## 2.4 Adjusting the Viewing Angle

### Tilt Angle Adjustment

For optimal viewing, it is recommended to look at the full face of the monitor, and then adjust the monitor's angle to your own preference.

Hold the stand firmly with one hand while tilting the monitor forwards or backwards with the other hand so you do not topple the monitor when you adjust the monitor's angle.

You are able to adjust the tilted angle from  $-5^{\circ}$  to  $20^{\circ}$ .

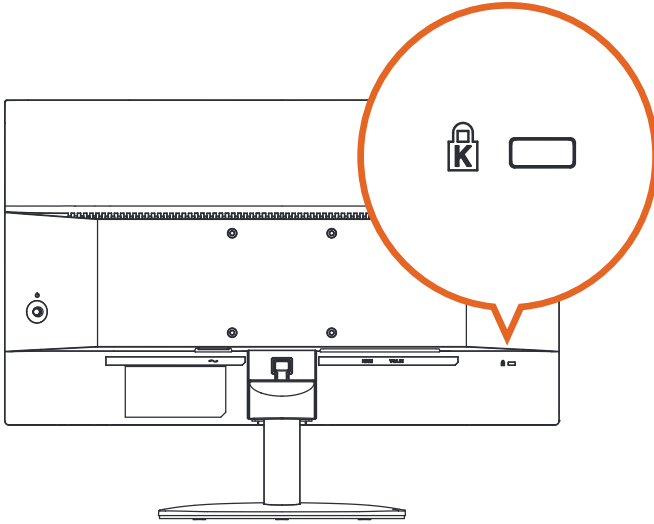


#### Important

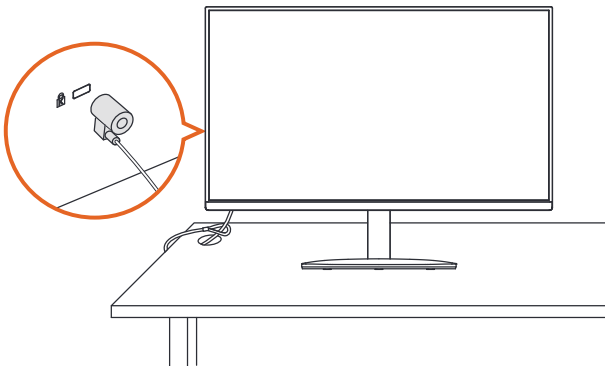
Be careful not to touch or press the display screen area when adjusting the monitor.

## 2.5 Using the Security Slot

This monitor supports a Kensington-type security slot. The Kensington lock can be used to secure the monitor and prevent it from being stolen in public locations.

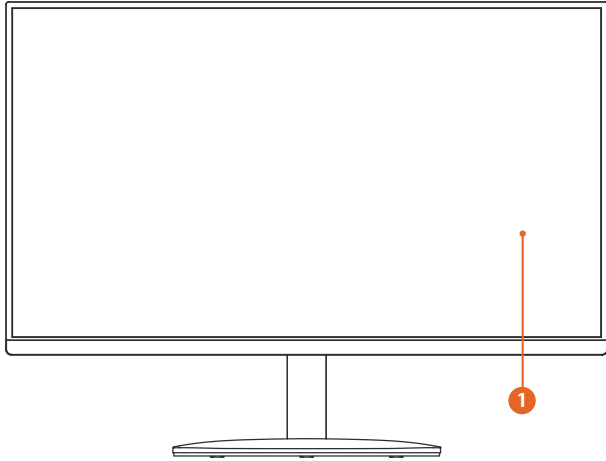


NOTE: Kensington lock is not included. You need to purchase an additional locking device.



## Chapter 3 Monitor Overview

### 3.1 Front View

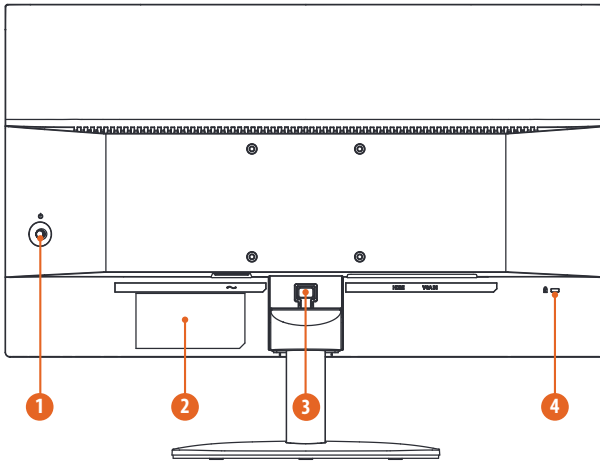


No.	Item
1	Display screen

**Important**

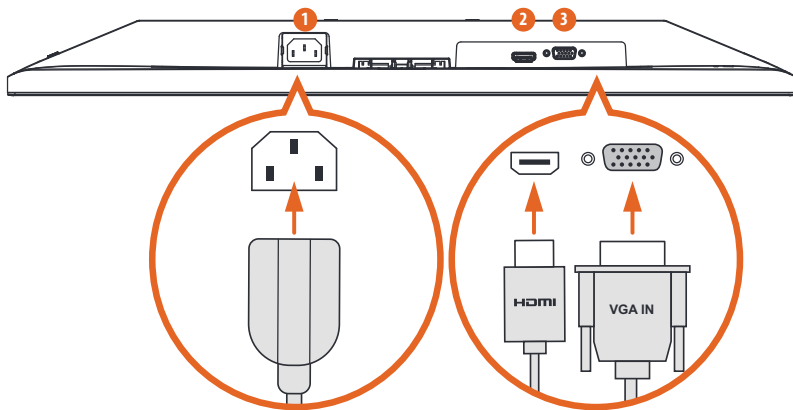
Do not touch the display screen surface with sharp or hard objects.

### 3.2 Back View



No.	Item	Description
1	Power On/Off button	Press to turn the monitor on. Press and hold for 3 seconds to turn the monitor off. The color definition of the power indicator: <ul style="list-style-type: none"> <li>• Solid Blue - Power on mode</li> <li>• Flashing Blue - Standby mode</li> <li>• LED Off - Off mode</li> </ul>
	Joystick	A multi-directional control that helps navigate the On-Screen Display (OSD) menu. For more information, please refer to the section "Operating the Monitor".
2	Model label	Lists the the model name of the monitor and the power rating information.
3	Stand release button	Releases stand from monitor.
4	Kensington Lock slot	Secures monitor with security lock (security lock not included).

### 3.3 Bottom View



No.	Item	Description
1	AC-IN port	Connect the power cord.
2	HDMI port	Connect your computer with the HDMI cable.
3	VGA port	Connect your computer with the VGA cable (VGA cable not included).

# Chapter 4 Specifications

## 4.1 Monitor Specifications

Model: CL25FF

Monitor	ASRock CL25FF
Panel Size	24.5 (inch)
Curvature	Flat
Aspect Ratio	16:9
Viewing Area	544*303mm (H x V)
Pixel Pitch	0.2832 (mm)
Panel Type	IPS
Display Surface	Anti-Glare
Color Space	sRGB 99%
Resolution	1920x1080
Display Type	FHD
Refresh Rate	100Hz (Max.)
Brightness	300 cd/m <sup>2</sup> (Typ.)
Contrast Ratio	1300:1 (Typ.)
View Angle	178°(H) / 178°(V)
Display Colors	16.7M
Response Time	1ms(MPRT), 4ms(GTG)
Flicker-free	Yes
Low Blue Light	Yes
I/O Ports	1*HDMI™ 1.4 1*VGA™
Digital Signal Frequency	HDMI: 24kHz~120KHz (H); 48Hz~100Hz (V) VGA: 24kHz~86KHz (H); 48Hz~75Hz (V)
Power Consumption	Power On(Max) ≤ 18W; Power Saving: ≤ 0.5W; Power Off: ≤ 0.3W

Monitor Power Options	100~240Vac, 50/60Hz, 0.75A
Adjustment (Tilt)	+20° ~ -5°
VESA Mounting	Plate Type: 100 x 100mm (4 screw holes) Screw Type: M4 x 10 mm
Dimension (W x H x D)	Dimension with Stand: 558*422*198 (mm) Dimension without Stand: 558*327*54 (mm)
Weight	3.36 Kg (With Stand) 2.96 Kg (Without Stand)
Environment	Operating <ul style="list-style-type: none"> <li>• Temperature: 0°C to 40°C</li> <li>• Humidity: 20% to 80%, non-condensing</li> <li>• Altitude: 0 ~ 3048m</li> </ul> Storage <ul style="list-style-type: none"> <li>• Temperature: -20°C to 65°C</li> <li>• Humidity: 20% to 80%, non-condensing</li> <li>• Altitude : 0~12192m</li> </ul>
Certificate	AMD FreeSync™ Energy Star® 8.0



**Model: CL27FF**

Monitor	ASRock CL27FF
Panel Size	27 (inch)
Curvature	Flat
Aspect Ratio	16:9
Viewing Area	598*336mm (H x V)
Pixel Pitch	0.3114 (mm)
Panel Type	IPS
Display Surface	Anti-Glare
Color Space	sRGB 99%
Resolution	1920x1080
Display Type	FHD
Refresh Rate	100Hz (Max.)
Brightness	300 cd/m <sup>2</sup> (Typ.)
Contrast Ratio	1000:1 (Typ.)
View Angle	178°(H) / 178°(V)
Display Colors	16.7M
Response Time	1ms(MPRT), 4ms(GTG)
Flicker-free	Yes
Low Blue Light	Yes
I/O Ports	1*HDMI™ 1.4 1*VGA™
Digital Signal Frequency	HDMI: 24kHz~120KHz (H); 48Hz~100Hz (V) VGA: 24kHz~86KHz (H); 48Hz~75Hz (V)
Power Consumption	Power On(Max) ≤ 21W; Power Saving: ≤ 0.5W; Power Off: ≤ 0.3W
Monitor Power Options	100~240Vac, 50/60Hz, 0.75A
Adjustment (Tilt)	+20° ~ -5°

VESA Mounting	<ul style="list-style-type: none"> <li>• Plate Type: 100 x 100mm (4 screw holes)</li> <li>• Screw Type: M4 x 10 mm</li> </ul>
Dimension (W x H x D)	Dimension with Stand: 612*458*225 (mm) Dimension without Stand: 612*336*54 (mm)
Weight	4.11 Kg (With Stand) 3.71 Kg (Without Stand)
Environment	Operating <ul style="list-style-type: none"> <li>• Temperature: 0°C to 40°C</li> <li>• Humidity: 20% to 80%, non-condensing</li> <li>• Altitude: 0 ~ 3048m</li> </ul> Storage <ul style="list-style-type: none"> <li>• Temperature: -20°C to 65°C</li> <li>• Humidity: 20% to 80%, non-condensing</li> <li>• Altitude : 0~12192m</li> </ul>
Certificate	AMD FreeSync™ Energy Star® 8.0


## 4.2 Supported Timing List


Standard	Mode	HDMI	DisplayPort
VGA	640x480 @60Hz	V	V
	640x480 @67Hz	V	V
	640x480 @72Hz	V	V
	640x480 @75Hz	V	V
MAC	640x480 @66.66Hz	V	V
VESA	720x400 @70Hz	V	V
SVGA	800x600 @56Hz	V	V
	800x600 @60Hz	V	V
	800x600 @72Hz	V	V
	800x600 @75Hz	V	V
MAC	832x624 @74.55Hz	V	V
XGA	1024x768 @60Hz	V	V
	1024x768 @70Hz	V	V
	1024x768 @75Hz	V	V
MAC	1152x870 @75Hz	V	V
VESA	1152x864 @75Hz	V	V
	1280x960 @60Hz	V	V
SXGA	1280x1024 @60Hz	V	V
	1280x1024 @75Hz	V	V
VESA	1280x720 @60Hz	V	V
WXGA	1280x800 @60Hz	V	V
WXGA+	1440x900 @60Hz	V	V
WSXGA+	1680x1050 @60Hz	V	V
Full HD	1280x960 @60Hz	V	V
	1280x720 @60Hz	V	V
	1920x1080 @60Hz	V	V
	1920x1080 @75Hz	V	V
	1920x1080 @100Hz	V	

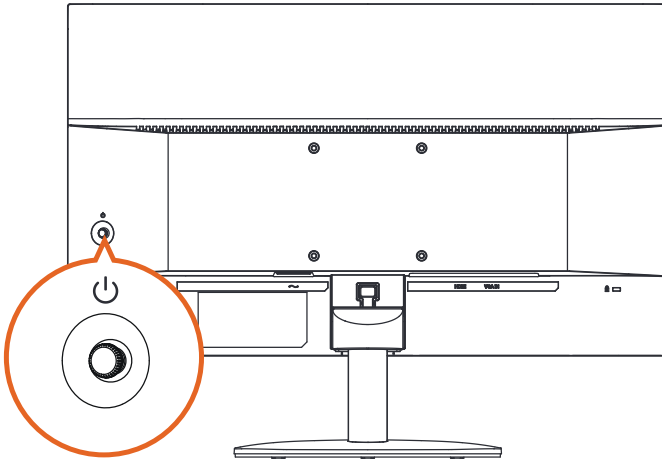
Video Timing Resolution	640x480P 59.94/60Hz (4:3)	V	V
	720x480P 59.94/60Hz (16:9)	V	V
	720x576P 50Hz (16:9)	V	V
	1280x720P 50Hz (16:9)	V	V
	1280x720P 59.94/60Hz (16:9)	V	V
	1920x1080P 50Hz (16:9)	V	V
	1920x1080P 59.94/60Hz (16:9)	V	V

# Chapter 5 Operating the Monitor

## 5.1 Powering On/Off the Monitor

Press the Power button  to turn on the monitor. The power indicator lights up in solid blue to show that the monitor is ON.

To turn the monitor off, press and hold the Power button  about 3 seconds until the LED light on the Power button turns OFF.



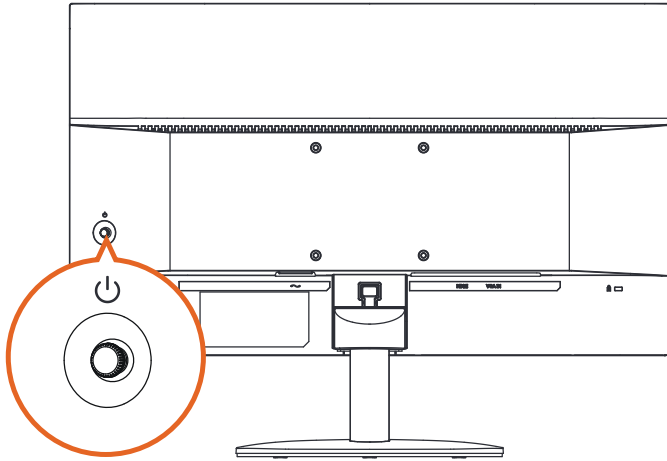
The color definition of the power indicator:






LED Indicator	Status	Description
Solid Blue	On	Solid blue light indicates the monitor is turned on.
Flashing Blue	Standby	Flashing blue light indicates the monitor is in standby mode.
LED Off	Off	No light indicates the monitor is turned off.

## 5.2 Using the Joystick Control

Use the joystick on the rear side of the monitor to navigate the OSD menu and adjust the settings.

1. To access the OSD menu, press the joystick button to launch the OSD main menu.
2. Use the joystick to toggle between options.
3. Press the joystick button again to confirm the settings and exit.



No.	Action		Description
1	Press		When the OSD menu is ON, press to confirm the selection (Enter) or save the settings (OK).
2	Toggle Left		Toggles left to select menu items (Move), go back to the previous menu (Back) or exit the OSD menu (Exit) Decreases the parameters of the selected menu item (Adjust).
3	Toggle Right		Toggles right to select menu items or go to the next menu (Move). Increases the parameters of the selected menu item (Adjust).
4	Toggle Up		Toggles up to select menu items (Move).
5	Toggle Down		Toggles down to select menu items (Move).

## Chapter 6 OSD Setup

This chapter provides you with essential information on OSD Setup.



### Important

All information is subject to change without prior notice.

### 6.1 Accessing the OSD Menu

After you press the joystick button, the OSD menu appears on the lower right corner of your monitor screen.

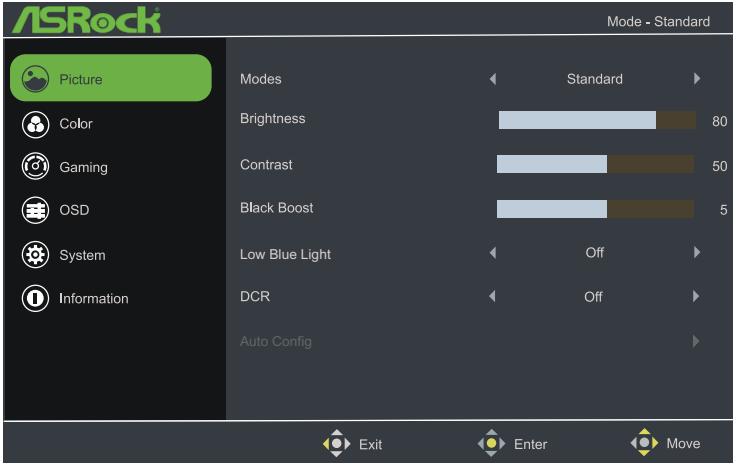


No.	Item	Description
1	Current Preset Mode	Display the current preset mode.
2	Main Menu Item	Display the main menu items.
3	Sub Menu Item	Display the sub menu items.
4	Sub Menu	Display the sub menu.
5	Navigation Keys	Follow the navigation keys displayed to move the joystick to configure the settings.



## 6.2 OSD Menus

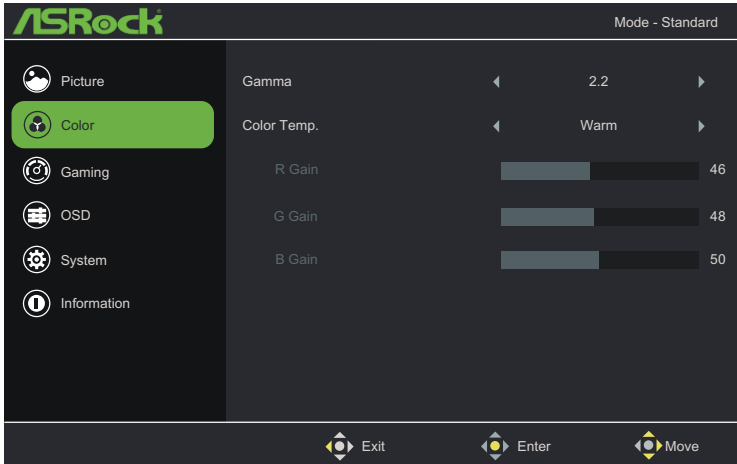
### Function: Picture



Main Menu Item	Sub Menu Item	Sub Menu	Description
Picture	Modes	Action	<ul style="list-style-type: none"> <li>Users can choose the preferred picture mode based on the usage scenarios, including Action, Racing, Sports, User, Standard, ECO, Graphics, and Movie modes.</li> <li>User Mode: Create a user-defined mode and customize monitor settings based on user's preferences.</li> <li>Standard Mode: The monitor's default color settings</li> </ul>
		Racing	
		Sports	
		User	
		Standard	
		ECO	
		Graphics	
		Movie	
	Brightness	0-100	Backlight Adjustment
Contrast	0-100	Contrast Adjustment	

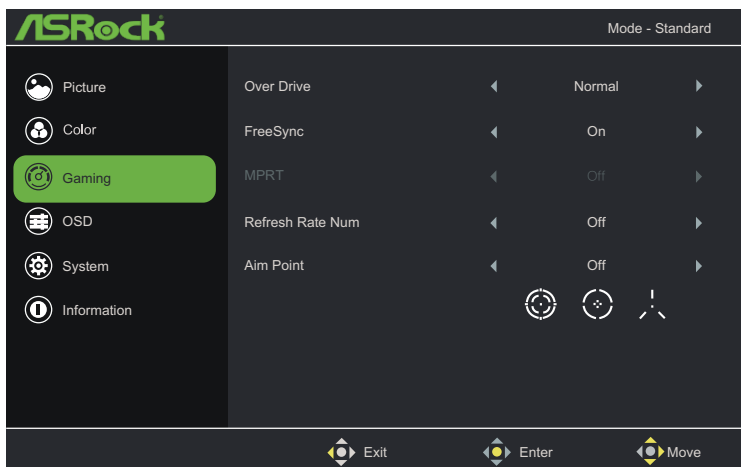
	Black Boost	0~10	The higher the level, the more detailed the dark area.
	Low Blue Light	Off	Low Blue Light Technology reduces the emission of harmful blue lights on a display to prevent eye fatigue.
		80%	
		70%	
		60%	
		50%	
	DCR	On	Dynamic contrast ratio
		Off	
	H.Position	–	Only for VGA port
	V.Position	–	Only for VGA port
	Focus	–	Only for VGA port
Clock	–	Only for VGA port	

## Function: Color



Main Menu Item	Sub Menu Item	Sub Menu	Description
Color	Gamma	1.8	Adjust Gamma level
		2.2	
		2	
	Color Temp.	Warm	Warm Color Temperature
		Normal	Normal Color Temperature (Default).
		Cool	Cool Color Temperature.
		User	Red/Green/Blue Gain from Digital-register.

## Function: Gaming



Main Menu Item	Sub Menu Item	Sub Menu	Description
Gaming	Over Drive	Off	Adjust OD level.
		Normal	
		Extreme	
	FreeSync	On	Turn on FreeSync function.
		Off	Turn off FreeSync function.
	MPRT	On	Turn on MPRT function.
		Off	Turn off MPRT function.
	Refresh Rate Num	On	Display the current Refresh rate in the upper right corner.
		Off	
	Aim Point	Off	Turn off the Aim Point function.
Icon1		Select Aim Point Icon1.	
Icon2		Select Aim Point Icon2.	
Icon3		Select Aim Point Icon3.	

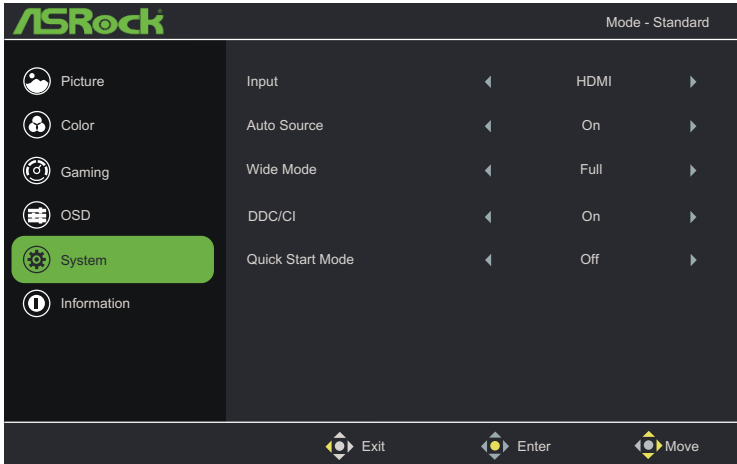
## Function: OSD



Main Menu Item	Sub Menu Item	Sub Menu	Description
OSD	Language	English	Select the OSD language.
		Русский	
		Deutsch	
		Français	
		Español	
		Italiano	
		Nederlands	
		Suomi	
		Polski	
		Português	
		Português (Brasil)	
		繁體中文	
		日本語	
Čeština			
Hrvatski			
Magyar			

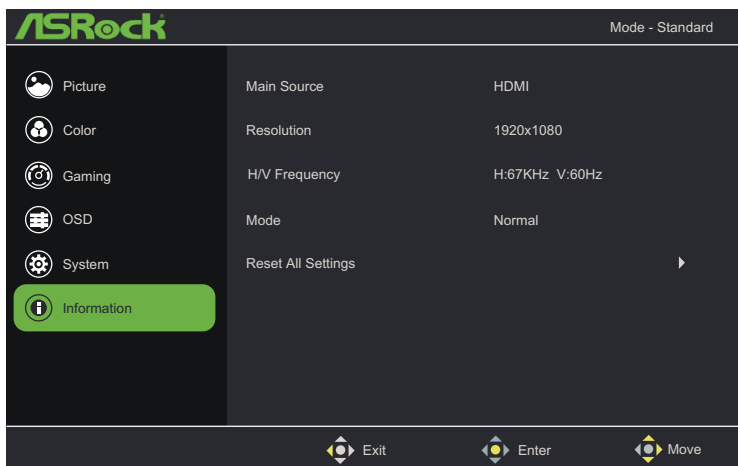
		Română	
		ไทย	
		Bahasa Indonesia	
		Български	
	OSD Timeout	10~120	Adjust OSD Time Out in any mode.
Transparency	Off	Set OSD menu transparency.	
	20%		
	40%		
	60%		
	80%		

## Function: System



Main Menu Item	Sub Menu Item	Sub Menu	Description
System	Input	VGA	Select input source.
		HDMI	
	Auto Source	On	Turn on auto source retrieval.
		Off	Turn off auto source retrieval.
	Wide Mode	Off	Set OSD menu transparency.
		20%	
		40%	
		60%	
		80%	
	DDC/CI	On	Turn on DDC/CI Support.
		Off	Turn off DDC/CI Support.
	Quick Start Mode	On	To speed up the startup time, choose whether or not to display the startup logo.
Off			

## Function: Information



Main Menu Item	Sub Menu Item	Sub Menu	Description
	Main Source	–	Show the current source.
	Resolution	–	Show the current resolution.
	H/V Frequency	–	Show the current H/V Frequency.
	Mode	–	Show the current Mode.
	Reset All Settings	–	Reset the menu to default.



## Chapter 7 Troubleshooting

Problem and Question	Possible Solution
Power LED is not on	<ul style="list-style-type: none"> <li>• Check if the Power button is pressed and the monitor is power on.</li> <li>• Power Cord should be connected.</li> </ul>
No signal	<ul style="list-style-type: none"> <li>• Check that the video cable is properly connected. If the connector is loose, tighten the connector's screws.</li> <li>• Check the video cable's connection pins for damage.</li> </ul>
Picture is fuzzy	<ul style="list-style-type: none"> <li>• Adjust the Contrast and Brightness Controls.</li> </ul>
Picture bounces or a wave pattern is present in the picture	<ul style="list-style-type: none"> <li>• Move electrical devices that may cause electrical interference.</li> </ul>
The power LED is ON (Blue) but there's no video or no picture.	<ul style="list-style-type: none"> <li>• Computer Power Switch should be in the ON position.</li> <li>• Computer Graphics Card should be snugly seated in its slot.</li> <li>• Make sure Monitor's video cable is properly connected to the computer.</li> <li>• Inspect Monitor's video cable and make sure none of the pins are bent.</li> </ul>
Missing one of the primary colors (RED, GREEN, or BLUE)	<ul style="list-style-type: none"> <li>• Inspect the Monitor's video cable and make sure that none of the pins are bent.</li> </ul>
Picture has color defects (white does not look white)	<ul style="list-style-type: none"> <li>• Adjust RGB color or select color temperature.</li> </ul>
Poor brightness or contrast	<ul style="list-style-type: none"> <li>• When the brightness of the screen lowers after being used for a certain period and the function of the display is affected, send it to our authorized service center for repair.</li> </ul>
Unable to open OSD menu.	<ul style="list-style-type: none"> <li>• Turn off your monitor, unplug the power cord and plug it back in, then power on the monitor.</li> </ul>

## Chapter 8 Safety Instructions

- Read the safety instructions carefully and thoroughly.
- All cautions and warnings on the device or User Guide should be noted.
- Refer servicing to qualified personnel only.

### Power

- Make sure that the power voltage is within its safety range and has been adjusted properly to the value of 100~240V before connecting the device to the power outlet.
- If the power cord comes with a 3-pin plug, do not disable the protective earth pin from the plug. The device must be connected to an earthed mains socket-outlet.
- Please confirm the power distribution system in the installation site shall provide the circuit breaker rated 120/240V, 20A (maximum).
- Always disconnect the power cord or switch the wall socket off if the device would be left unused for a certain time to achieve zero energy consumption.
- Place the power cord in a way that people are unlikely to step on it. Do not place anything on the power cord.
- If this device comes with an adapter, use only the ASRock provided AC adapter approved for use with this device.

### European Union:



Batteries, battery packs, and accumulators should not be disposed of as unsorted household waste. Please use the public collection system to return, recycle, or treat them in compliance with the local regulations.

### California, USA:



The button cell battery may contain perchlorate material and requires special handling when recycled or disposed of in California. For further information please visit: <https://dtsc.ca.gov/perchlorate/>

## Environment

- To reduce the possibility of heat-related injuries or of overheating the device, do not place the device on a soft, unsteady surface or obstruct its air ventilators.
- Use this device only on a hard, flat and steady surface.
- To prevent the device from tipping over, secure the device to a desk, wall or fixed object with an anti-tip fastener that helps to properly support the device and keep it safe in place.
- To prevent fire or shock hazard, keep this device away from humidity and high temperature.
- Do not leave the device in an unconditioned environment with a storage temperature above 60°C or below -20°C , which may damage the device.
- The maximum operating temperature is around 40°C .
- When cleaning the device, be sure to remove the power plug. Use a piece of soft cloth rather than industrial chemical to clean the device. Never pour any liquid into the opening; that could damage the device or cause electric shock.
- Always keep strong magnetic or electrical objects away from the device.
- If any of the following situations arises, get the device checked by service personnel:
  - The power cord or plug is damaged.
  - Liquid has penetrated into the device.
  - The device has been exposed to moisture.
  - The device does not work well or you can not get it working according to the User Guide.
  - The device has dropped and damaged.
  - The device has obvious sign of breakage.

## Warning!

Overuse of screens is likely to affect eyesight.

## Recommendations:

Take a 10-minute break for every 30 minutes of screen time.

Children under 2 years of age should have no screen time. For children aged 2 years and over, screen time should be limited to less than one hour per day.

## CE Conformity



This device complies with the requirements set out in the Council Directive on the Approximation of the Laws of the Member States relating to Electromagnetic Compatibility (2014/30/EU), Low-voltage Directive (2014/35/EU), ErP Directive (2009/125/EC) and RoHS directive

(2011/65/EU). This product has been tested and found to comply with the harmonized standards for Information Technology Equipment published under Directives of Official Journal of the European Union.

## ASRock Contact Information

ASRock EUROPE B.V.

Address : Bijsterhuizen 11-11, 6546 AR Nijmegen, The Netherlands

Phone: +31-24-345-44-33

## Technical Support

Phone: +31-24-345-44-33

Online Support <https://event.asrock.com/tsd.asp>

## Product information for EU energy label

CL25FF:

<https://eprel.ec.europa.eu/screen/product/electronicdisplays/1735779>

CL27FF:

<https://eprel.ec.europa.eu/screen/product/electronicdisplays/1766207>

## FCC-B Radio Frequency Interference Statement



This equipment has been tested and found to comply with the limits for a Class B digital device, pursuant to Part 15 of the FCC Rules. These limits are designed to provide reasonable protection against harmful interference in a residential installation. This equipment generates, uses and can radiate radio frequency energy and, if not installed and used in accordance with the instruction manual, may cause harmful interference to radio communications. However, there is no guarantee that interference will not occur in a particular installation. If this equipment does cause harmful interference to radio or television reception, which can be determined by turning the equipment off and on, the user is encouraged to try to correct the interference by one or more of the measures listed below:

- Reorient or relocate the receiving antenna.
- Increase the separation between the equipment and receiver.
- Connect the equipment into an outlet on a circuit different from that to which the receiver is connected.
- Consult the dealer or an experienced radio/television technician for help.

### Notice 1

The changes or modifications not expressly approved by the party responsible for compliance could void the user's authority to operate the equipment.

### Notice 2

Shielded interface cables and AC power cord, if any, must be used in order to comply with the emission limits.

This device complies with Part 15 of the FCC Rules. Operation is subject to the following two conditions:

- This device may not cause harmful interference
- This device must accept any interference received, including interference that may cause undesired operation.

## **ASRock Contact Information**

ASRock America, Inc.

Address : 13848 Magnolia Ave, Chino, CA91710, U.S.A.

Phone: +1-909-590-8308

## **Technical Support**

Phone: +1-909-590-8308

Online Support <https://event.asrock.com/tsd.asp>

## WEEE Statement

Under the European Union (“EU”) Directive on Waste Electrical and Electronic Equipment, Directive 2012/19/EU, products of “electrical and electronic equipment” cannot be discarded as municipal waste anymore and manufacturers of covered electronic equipment will be obligated to take back such products at the end of their useful life.



## Chemical Substances Information

In compliance with chemical substances regulations, such as the EU REACH Regulation (Regulation EC No. 1907/2006 of the European Parliament and the Council), ASRock provides the relevant information at:

<https://asrock.com/general/about.asp?cat=Responsibility>

## RoHS Statement

### Japan JIS C 0950 Material Declaration

A Japanese regulatory requirement, defined by specification JIS C 0950, mandates that manufacturers provide material declarations for certain categories of electronic products offered for sale after July 1, 2006.



The terms HDMI, HDMI High-Definition Multimedia Interface, HDMI trade dress and the HDMI Logos are trademarks or registered trademarks of HDMI Licensing Administrator, Inc.



## **Copyright and Trademarks Notice**

Copyright © ASRock Inc. All rights reserved. The ASRock logo used is a registered trademark of ASRock Inc. All other marks and names mentioned may be trademarks of their respective owners. No warranty as to accuracy or completeness is expressed or implied. ASRock reserves the right to make changes to this document without prior notice.

## **Technical Support**

If a problem arises with your product and no solution can be obtained from the user's manual, please contact your place of purchase or local distributor. Alternatively, please visit <https://www.asrock.com> for further guidance.



## **Copyright Notice**

No part of this documentation may be reproduced, transcribed, transmitted, or translated in any language, in any form or by any means, except duplication of documentation by the purchaser for backup purpose, without written consent of ASRock Inc.

Products and corporate names appearing in this documentation may or may not be registered trademarks or copyrights of their respective companies, and are used only for identification or explanation and to the owners' benefit, without intent to infringe.

## **Disclaimer**

Because the monitor specifications and the firmware might be updated, the content of this documentation will be subject to change without notice. In case any modifications of this documentation occur, the updated version will be available on ASRock's website without further notice. If you require technical support related to this motherboard, please visit our website for specific information about the model you are using. You may find the latest monitor support list on ASRock's website as well.

ASRock Website: <http://www.asrock.com>